



HEBEI XIAOPENG
HOISTING EQUIPMENT FACTORY

E-mail: admin@hoistcn.com, ktxfactory@163.com
Tel: 0086-318-5111881 / 0086-18632885855
www.liftingcn.com www.hoistcn.com



HEBEI XIAOPENG KTX
HOISTING EQUIPMENT FACTORY
河北霄鹏起重设备有限公司

www.liftingcn.com www.hoistcn.com

Enterprise profile

Hebei Xiaopeng Hoisting Equipment Factory is growing with the aim at group , design ,sales and installation, maintenance and service of state-of-art of lifting equipment. With the effort by our company-- Hengshui Tianqin Import and Export Trade CO.,LTD, we export KTX brand products and other five family factories' products, more than 220 types to all over the world .

Xiaopeng is a fast-growing plant, located at Taocheng development zone, Hengshui city of south Beijing. With 200 employees and 50 sets production equipment, we have the ability to output of RMB 50 million every year and acquired certificates of ISO9001, SGS , with CE & GS issued by TUV in Germany. These ensure Xiaopeng lifting products to exceed the world standard as well as the leading manufacturer in lifting industry with such experience .

Our products are KTX brand CD1 and MD1 electric wire rope hoists, electric chain hoists, manual chain hoists, lever blocks, G80 chain , magnetic lifter and gantry cranes .

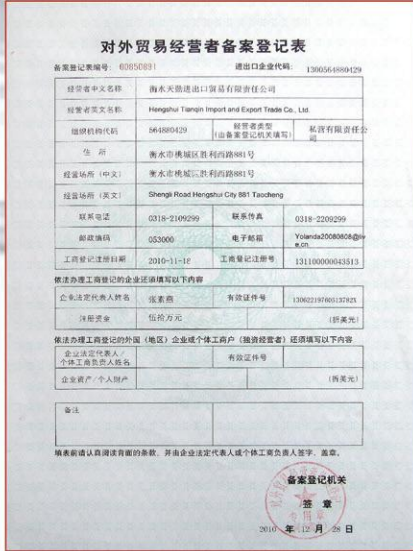
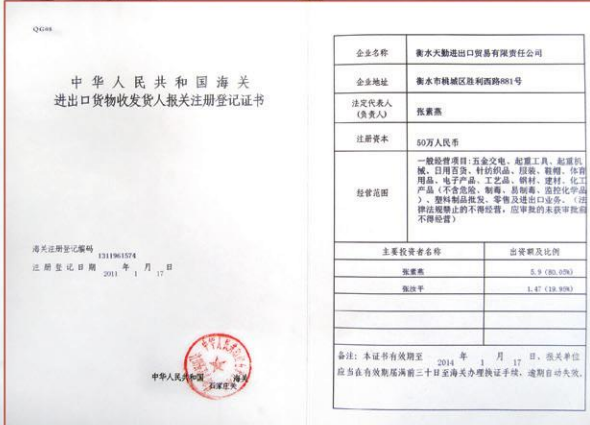
The products have gained a reputation in both domestic and oversea markets for its good quality and continual innovation ideas.

We aim to "create top quality, offer best service", With advanced products, good quality, full products perfect after service, so far our products have been sold in more than 70 countries around the world. Following the company's policy, make our customers could be assured of Safety, Quality and Efficiency !

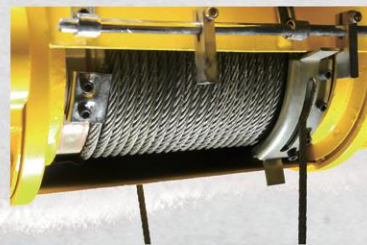


CONTENTS

	ELECTRIC WIRE ROPE HOIST SERIES	1
	ELECTRIC CHAIN HOIST SERIES	12
	ELECTRIC WINCH SERIES	18
	CHAIN HOIST SERIES	24
	LEVER HOIST SERIES	30
	HAND WINCH SERIES	34
	TROLLEY TRUCK AND OTHER SERIES	37
	CRANE SCALE SERIES	45
	WEBBING SLING SERIES	49
	LIFTING ACCESSORIES SERIES	53
	CRANE SERIES	55



ELECTRIC WIRE ROPE HOIST SERIES



CD1 Electric Wire Rope Hoist

Model	CD1 0.5T	CD1 1T	CD1 2T	CD1 3T	CD1 5T	CD1 10T	CD1 16T	CD1 20T	CD1 25T	CD1 32
Capacity (t)	0.5	1	2	3	5	10	16	20	25	32
Standard lifting Height (m)	6-12	6-30	6-30	6-30	6-30	9-30	9-30	9-30	9-30	9-30
Lifting speed (m/min)	8	8	8	8	8	7	3.5	3.5	2.4	2.4
Traveling speed (m/min)	20/30	20/30	20/30	20/30	20/30	20/30	20/30	20/30	20/30	20/30
Lifting motor power (kw)	0.8	1.5	3	4.5	7.5	13	13	18.5	18.5	18.5
Traveling motor power(kw)	0.2	0.2	0.4	0.4	0.8	0.8*2	0.8*2	0.8*4	0.8*4	0.8*4
Wire rope type	D-6×37+1	D-6×37+1	D-6×37+1	D-6×37+1	D-6×37+1	D-6×37+1	D-6×37+1	D-6×37+1	D-6×37+1	D-6×19+1
I-beam track type	16-28b	16-28b	20a-32c	20a-32c	25a-63c	25a-63c	45a-63c	50a-63c	50a-63c	50a-63c
Min. Radius of curve (m)	1.5	1.5-4	2-4	2-4	2.5-5	2.5-9	3-4.6	3-4.6	3-4.6	4
Power supply	220V-440V,50/60HZ,3P									
Working duty	Mid M3	Mid M3	Mid M3	Mid M3	Mid M3	Mid M3	Mid M3	Mid M3	Mid M3	Mid M3



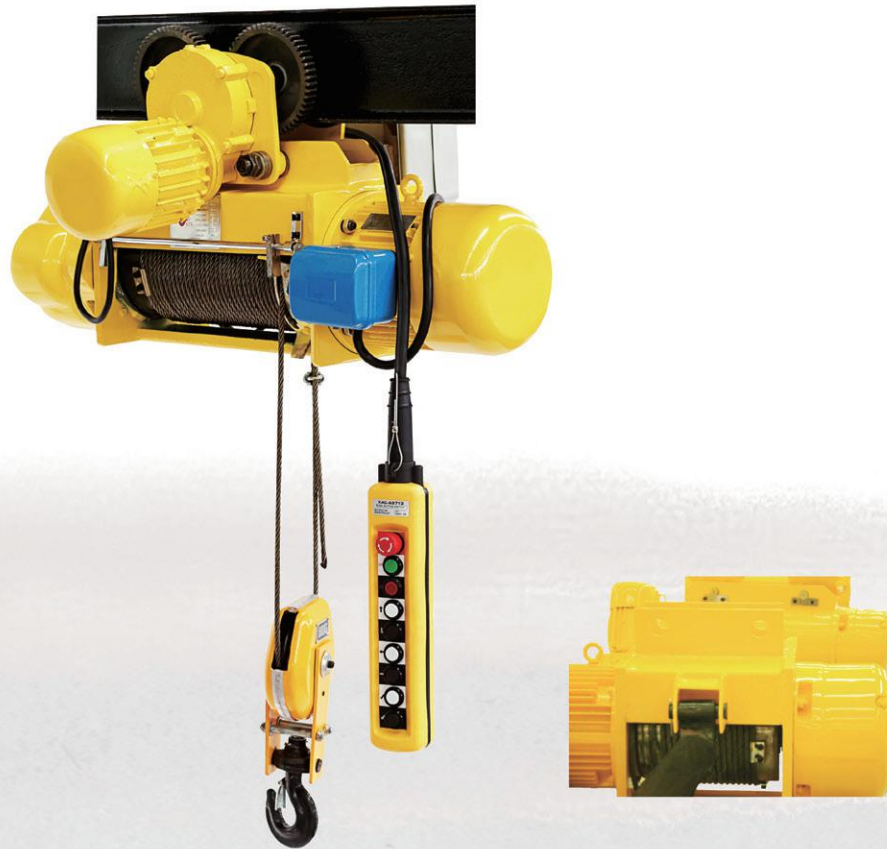
H-CD Electric Wire Rope Hoist

Model	H-CD 0.5T	H-CD 1T	H-CD 2T	H-CD 3T	H-CD 5T	H-CD 10T	H-CD16T	H-CD 20T	H-CD 25T	H-CD 32
Capacity (t)	0.5	1	2	3	5	10	16	20	25	32
Standard lifting height (m)	6-12	6-30	6-30	6-30	6-30	9-30	9-30	9-30	9-30	9-30
Lifting speed (m/min)	8	8	8	8	8	7	3.5	3.5	2.4	2.4
Traveling speed (m/min)	20/30	20/30	20/30	20/30	20/30	20/30	20/30	20/30	20/30	20/30
Lifting motor power (kw)	0.8	1.5	3	4.5	7.5	13	13	18.5	18.5	18.5
Traveling motor power(kw)	0.2	0.2	0.4	0.4	0.8	0.8*2	0.8*2	0.8*4	0.8*4	0.8*4
Wire rope type	D-6×37+1	D-6×37+1	D-6×37+1	D-6×37+1	D-6×37+1	D-6×37+1	D-6×37+1	D-6×37+1	D-6×37+1	D-6×19+1
I-beam track type	16-28b	16-28b	20a-32c	20a-32c	25a-63c	25a-63c	45a-63c	50a-63c	50a-63c	50a-63c
Min. Radius of curve (m)	1.5	1.5-4	2-4	2-4	2.5-5	2.5-9	3-4.6	3-4.6	3-4.6	4
Power supply	220V-440V,50/60HZ,3P									
Working duty	Mid M3	Mid M3	Mid M3	Mid M3	Mid M3	Mid M3	Mid M3	Mid M3	Mid M3	Mid M3



MD1 Electric Wire Rope Hoist

Model	MD1 0.5T	MD1 1T	MD1 2T	MD1 3T	MD1 5T	MD1 10T	MD1 16T	MD1 20T	MD1 25T	MD1 32
Capacity (t)	0.5	1	2	3	5	10	16	20	25	32
Standard lifting height (m)	6-12	6-30	6-30	6-30	6-30	9-30	9-30	9-30	9-30	9-30
Lifting speed (m/min)	8/0.8	8/0.8	8/0.8	8/0.8	8/0.8	7/0.7	3.5/0.35	3.5/0.35	2.4/0.24	2.4/0.24
Traveling speed (m/min)	20/30	20/30	20/30	20/30	20/30	20/30	20/30	20/30	20/30	20/30
Lifting motor power (kw)	0.8/0.2	1.5/0.2	3/0.4	4.5/0.4	7.5/0.8	13/1.5	13/1.5	18.5/2.2	18.5/2.2	18.5/2.2
Traveling motor power(kw)	0.2	0.2	0.4	0.4	0.8	0.8*2	0.8*2	0.8*4	0.8*4	0.8*4
Wire rope type	D-6×37+1	D-6×37+1	D-6×37+1	D-6×37+1	D-6×37+1	D-6×37+1	D-6×37+1	D-6×37+1	D-6×37+1	D-6×19+1
I-beam track type	16-28b	16-28b	20a-32c	20a-32c	25a-63c	25a-63c	45a-63c	50a-63c	50a-63c	50a-63c
Min. Radius of curve (m)	1.5	1.5-4	2-4	2-4	2.5-5	2.5-9	3-4.6	3-4.6	3-4.6	4
Power supply	220V-440V,50/60HZ,3P									
Working duty	Mid M3	Mid M3	Mid M3	Mid M3	Mid M3	Mid M3	Mid M3	Mid M3	Mid M3	Mid M3



H-SD Electric Wire Rope Hoist

Model	H-SD 0.5T	H-SD 1T	H-SD 2T	H-SD 3T	H-SD 5T	H-SD 10T	H-SD 16T	H-SD 20T	H-SD 25T	H-SD 32T
Capacity (t)	0.5	1	2	3	5	10	16	20	25	32
Standard lifting height (m)	6-12	6-30	6-30	6-30	6-30	9-30	9-18	9-18	9-24	9-24
Lifting speed (m/min)	8	8	8	8	8	7	3.5	3.5	2.4	2.4
Traveling speed (m/min)	20	20	20	20	20	20	20	20	20	20
Lifting motor power (kw)	0.8	1.5	3	4.5	7.5	13	13	18.5	18.5	18.5
Traveling motor power(kw)	0.2	0.2	0.4	0.4	0.8	0.8*2	0.8*2	0.8*4	0.8*4	0.8*4
Wire rope type	D-6X37+1	D-6X37+1	D-6X37+1	D-6X37+1	D-6X37+1	D-6X37+1	D-6X37+1	D-6X37+1	D-6X37+1	D-6X19+1
I-beam track type	16-28b	16-28b	20a-32c	20a-32c	25a-63c	25a-63c	45a-63c	50a-63c	50a-63c	50a-63c
Min. radius of curve (m)	1.5	1.5-4	2-4	2-4	2.5-5	2.5-9	3-4.6	3-4.6	3-4.6	4
Power supply	220V-440V,50/60HZ,3P									
Working duty	Mid M3	Mid M3	Mid M3	Mid M3	Mid M3	Mid M3	Mid M3	Mid M3	Mid M3	Mid M3



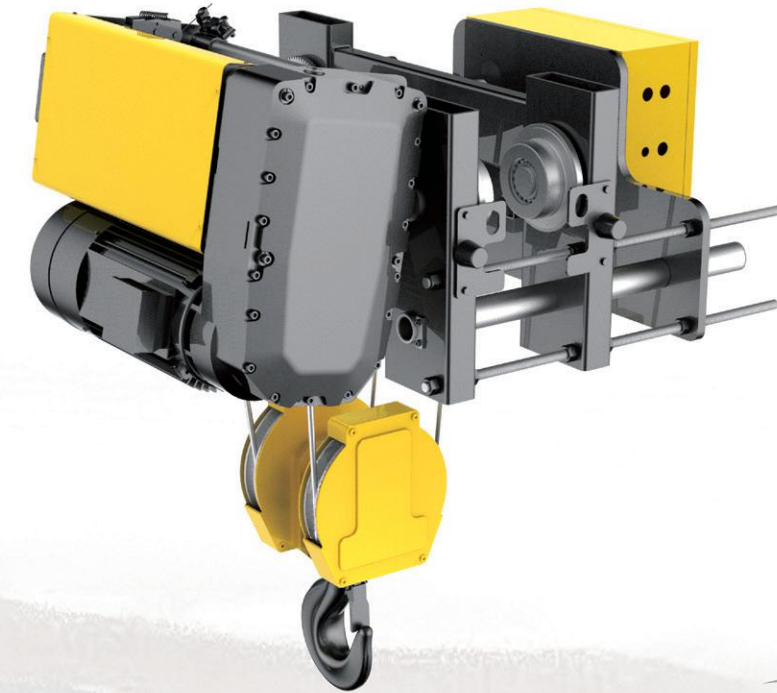
Explosion Proof Electric Hoist

Capacity	Tons	0.5	1	2	3	5	10	16
Lifting height	m	6-12	6-30				9-30	
Lifting speed	M/min	8(0.8/8)	8(0.8/8)				7(0.7/7)	3.5(0.35/3.5)
Traveling speed	M/min	20/30	20/30	20/30	20/30	20/30	20/30	20/30
Wire rope	Dia.(mm)	4.8	7.4	11	13	15	15	17.5
	Spec.	6×37+FC	6×37+FC	6×37+FC	6×37+FC	6×37+FC	6×37+FC	6×37+FC
Lifting motor	type	BZD1 21-4		BZD1 22-4	BZD1 31-4	BZD1 32-4	BZD1 41-4	
	Power(KW)	0.8(0.2/0.8)	1.5(0.2/1.5)	3.0(0.4/3.0)	4.5(0.4/4.5)	7.5(0.8/7.5)	13(1.5/13)	13(1.5/13)
	Rotation speed (r/min)	1380	1380	1380	1380	1400	1400	1400
	Current (A)	2.2(0.72/2.4)	4.3(0.72/4.3)	7.6(1.25/7.6)	11(2.4/11)	18(2.4/18)	30(5.2/30)	30(5.2/30)
Traveling motor	type	BZDY1 11-4	BZDY1 11-4	BZDY1 12-4	BZDY1 21-4	BZDY1 21-4	BZDY1 21-4	BZDY1 21-4
	Power(KW)	0.2	0.2	0.4	0.4	0.8	0.8×2	0.8×2
	Rotation speed (r/min)	1380	1380	1380	1380	1380	1380	1380
	Current (A)	0.72	0.72	1.25	1.25	2.4	2.4	2.4
Power		AC 220V-440V,50/60HZ,3P						



CDL/MDL Low Headroom Hoist

Model	CDL/MDL							
Capacity	tons	0.5	1	2	3	5	10	16
Lifting height	m	6-12	6-30				9-30	
Lifting speed	M/min	8(0.8/8)	8(0.8/8)				7(0.7/7)	3.5(0.35/3.5)
Traveling speed	M/min	20/30	20/30	20/30	20/30	20/30	20/30	18
Wire rope	Dia.(mm)	4.8	7.4	11	13	15	15	17.5
	Spec.	6×37+FC	6×37+FC	6×37+FC	6×37+FC	6×37+FC	6×37+FC	6×37+FC
Lifting motor	type	ZD1 21-4	ZD1 22-4	ZD1 31-4	ZD1 32-4	ZD1 41-4	ZD1 51-4	ZD1 51-4
		ZDS1 0.2/0.8	ZDS1 0.2/1.5	ZDS1 0.4/3.0	ZDS1 0.4/4.5	ZDS1-0.8/7.5	ZDS1 1.5/13	ZDS1 1.5/13
	Power(KW)	0.8(0.2/0.8)	1.5(0.2/1.5)	3.0(0.4/3.0)	4.5(0.4/4.5)	7.5(0.8/7.5)	13(1.5/13)	13(1.5/13)
	Rotation speed (r/min)	1380	1380	1380	1380	1400	1400	1400
Traveling motor	Current (A)	2.2(0.72/2.4)	4.3(0.72/4.3)	7.6(1.25/7.6)	11(2.4/11)	18(2.4/18)	30(5.2/30)	30(5.2/30)
	type	ZDY1 11-4	ZDY1 11-4	ZDY1 12-4	ZDY1 12-4	ZDY1 21-4	ZDY1 21-4	ZDY1 21-4
	Power(KW)	0.2	0.2	0.4	0.4	0.8	0.8×2	0.8×2
	Rotation speed (r/min)	1380	1380	1380	1380	1380	1380	1380
Current (A)		0.72	0.72	1.25	1.25	2.4	2.4	2.4
	Power	AC 220V-440V,50/60HZ,3P						



SH Low-headroom Hoist

Model	Rated capacity (T)	Rope reeving	Lifting speed (m/min)	Traveling speed (m/min)	Lifting motor power (kw)	Traveling motor power (kw)	Diameter of wire rope (mm)
SH-2D	1	2/1	10/1.6	20/5	3.2/0.45	0.37/0.1	7
	1.25	2/1	10/1.6				
	1.6	2/1	10/1.6				
	2	4/1	5/0.8				
	2.5	4/1	5/0.8				
SH-3D	3.2	4/1	5/0.8	20/5	6.0/0.9	0.55/0.13	9
	2	2/1	10/1.6				
	2.5	2/1	10/1.6				
	3.2	2/1	10/1.6				
	4	4/1	5/0.8				
SH-4D	5	4/1	5/0.8	20/5	9.5/1.5	0.75/0.18	13
	6.3	4/1	5/0.8				
	8	4/1	5/0.8				
	10	4/1	5/0.8				
	12.5	4/1	5/0.8				



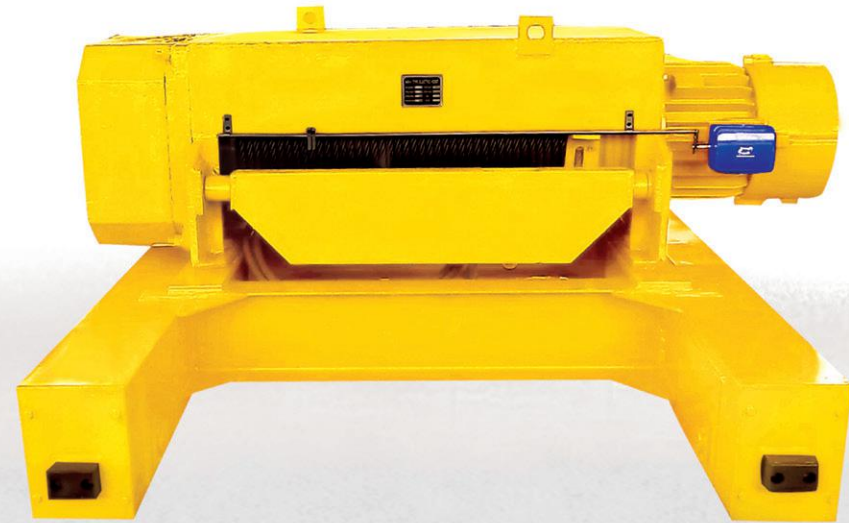
PA Mini Electric Hoist

Specification	Method of use	Rated voltage	Input power W	Rated capacity kg	Lifting speed m/min	Lifting height M	Qty/ctn	Packing size mm	G.W./N.W. kg/carton		
PA200	Single hook	AC220/230V, 50/60HZ,1P	480	100	10	12	2	38*32*25	22.5/22		
	Double hook			200	5	6					
PA250	Single hook		510	125	10	12	2		38*32*25	23/22	
	Double hook			250	5	6					
PA300	Single hook		600	150	10	12	2			45*34/27	23.5/23
	Double hook			300	5	6					
PA400	Single hook		950	200	10	12	2	45*34/27			33/32
	Double hook			400	5	6					
PA500	Single hook		1020	250	10	12	2		45*34/27		33.5/32.5
	Double hook			500	5	6					
PA600	Single hook		1200	300	10	12	2			54*25*32	35/34
	Double hook			600	5	6					
PA800	Single hook		1300	400	8	12	2	54*25*32			38/37
	Double hook			800	4	6					
PA1000	Single hook		1600	500	8	12	1		54*25*32		32/31
	Double hook			1000	4	6					



PA Mini Electric Hoist With Trolley

Model	Lifting capacity	Rated voltage	Lifting speed	Lifting height	Load of trolley	Moving speed of trolley	Qty/ctn	Packing size	G.W./N.W.		
	Single/double hook (kg)	(V)	M/min	Single/double Hook (m)	(t)	(m/min)	Pcs/ctn	cm	kgs		
PA 200	100/200	220-240/1P	10	12/6	0.5	13	2	38*32*25	22.5/22		
			5								
PA 250	125/250	220-240/1P	10	12/6	0.5	13	2		38*32*25	23/22	
			5								
PA 300	150/300	220-240/1P	10	12/6	0.5	13	2			45*34/27	23.5/23
			5								
PA 400	200/400	220-240/1P	10	12/6	0.5	13	2	45*34/27			33/32
			5								
PA 500	250/500	220-240/1P	10	12/6	0.5	13	2		45*34/27		33.5/32.5
			5								
PA 600	300/600	220-240/1P	10	12/6	1	13	2			54*25*32	35/34
			5								
PA 800	400/800	220-240/1P	8	12/6	1	13	2	54*25*32			38/37
			4								
PA 990	500/990	220-240/1P	8	12/6	1	13	1		54*25*32		32/31
			4								



Double Girder Hoist

Capacity		tons	2	3	5	10	16	20
Lifting height		m	6-30	6-30	6-30	9-30	9-30	9-30
Wire rope		Dia.(mm)	11	13	15	15	17.5	20
		Spec.	D-6×37+1	D-6×37+1	D-6×37+1	D-6×37+1	D-6×37+1	D-6×37+1
Lifting	Lifting speed	M/min	8(0.8/8)	8(0.8/8)	8(0.8/8)	7(0.7/7)	3.5(0.35/3.5)	3.5(0.35/3.5)
	Motor	Power(KW)	3 (3/0.4)	4.5 (4.5/0.4)	7.5 (7.5/0.8)	13 (13/1.5)	13 (13/1.5)	18.5 (18.5/2.2)
Traveling	Traveling speed	M/min	20/30	20/30	20/30	20/30	20/30	20/30
	motor	Power(KW)	0.37*6P	0.37*6P	0.6*6P	0.6*6P	0.6*2*6P	0.37*2*6P
	Gear Dia. of wheel (φ)	mm	150-180	180	200	280	320	380
Power		AC 220V-440V,50/60HZ,3P						

ELECTRIC CHAIN HOIST





KTX Electric Chain Hoist

Model	Unit	KTX0.5-01	KTX01-01	KTX01-02	KTX02-01	KTX02-02	KTX03-01	KTX03-02	KTX03-03	KTX05-02	KTX07.5-03	KTX010-04	KTX015-06	KTX020-08
Lifting weight	Ton	0.5	1	1	2	2	3	3	3	5	7.5	10	15	20
Standard lifting height	M	3	3	3	3	3	3	3	3	3	3	3	3	3
Falls of load chain		1	1	2	1	2	1	2	3	2	3	4	6	8
Power	KW	1.1	1.5	1.1	3.0	1.5	3.0	3.0	1.5	3.0	3.0	3.0*2	3.0*2	3.0*2
Dia. of Load chain	mm	6.3	7.1	6.3	10.0	7.1	11.2	10.0	7.1	11.2	11.2	11.2	11.2	11.2
Lifting speed	m/min	7.2	6.8	3.6	6.6	3.4	5.6	3.3	2.2	2.8	1.8	2.8	1.8	1.4
Voltage	V	220-440												
Phases		3	3	3	3	3	3	3	3	3	3	3	3	3
Frequency	Hz	50/60	50/60	50/60	50/60	50/60	50/60	50/60	50/60	50/60	50/60	50/60	50/60	50/60



KTX Electric Chain Hoist With Trolley

Model	Unit	KTX0.5-01	KTX01-01	KTX01-02	KTX02-01	KTX02-02	KTX03-01	KTX03-02	KTX03-03	KTX05-02	KTX07.5-03	KTX010-04	KTX015-06	KTX020-08
Lifting weight	Ton	0.5	1	1	2	2	3	3	3	5	7.5	10	15	20
Standard lifting height	M	3	3	3	3	3	3	3	3	3	3	3	3	3
Falls of load chain		1	1	2	1	2	1	2	3	2	3	4	6	8
Lifting motor Power	KW	1.1	1.5	1.1	3.0	1.5	3.0	3.0	1.5	3.0	3.0	3.0*2	3.0*2	3.0*2
Diameter of Load chain	mm	6.3	7.1	6.3	10.0	7.1	11.2	10.0	7.1	11.2	11.2	11.2	11.2	11.2
Lifting speed	m/min	7.2	6.8	3.6	6.6	3.4	5.6	3.3	2.2	2.8	1.8	2.8	1.8	1.4
Traveling motor power	KW	0.12	0.4	0.4	0.4	0.4	0.75	0.75	0.75	0.75	0.75	0.75*2	0.75*2	0.75*2
Traveling speed	M/min	11/1;21/1	11/1;21/1	11/1;21/1	11/1;21/1	11/1;21/1	11/1;21/1	11/1;21/1	11/1;21/1	11/1;21/1	11/1;21/1	11/1;21/1	11/1;21/1	11/1;21/1
Voltage	V	220-440												
Phases		3	3	3	3	3	3	3	3	3	3	3	3	3
Frequency	Hz	50/60	50/60	50/60	50/60	50/60	50/60	50/60	50/60	50/60	50/60	50/60	50/60	50/60



KTX Low Headroom Electric Chain Hoist



KTXN Electric Chain Hoist

Type	Capacity	Lifting Speed (m/min)	Lifting Motor				Operating Motor				I-Beam			
			Power	Rotation Speed	Phases	Voltage (V)	Power (Kw)	Rotation Speed	Operating Speed (m/min)	Phases		Voltage (V)	Frequency (Hz/s)	
KTX 01-01L	1	6.8	1.5	1440	3	220-440	50/60	0.4	1440	11/21	3	220-440	50/60	82-153
KTX 01-02L	1	3.6	1.1	1440	3		50/60	0.4	1440		3		50/60	82-153
KTX 1.5-01L	1.5	8.8	3.0	1440	3		50/60	0.4	1440		3		50/60	82-153
KTX 02-01L	2	6.6	3.0	1440	3		50/60	0.4	1440		3		50/60	100-178
KTX 02-02L	2	3.4	1.5	1440	3		50/60	0.4	1440		3		50/60	100-178
KTX 2.5-01L	2.5	5.6	3.0	1440	3		50/60	0.75	1440		3		50/60	100-178
KTX 03-01L	3	5.6	3.0	1440	3		50/60	0.75	1440		3		50/60	100-178
KTX 03-02L	3	4.4	3.0	1440	3		50/60	0.75	1440		3		50/60	100-178
KTX 05-02L	5	2.8	3.0	1440	3		50/60	0.75	1440		3		50/60	112-178
KTX 7.5-03L	7.5	1.8	3.0*2	1440	3		50/60	0.75	1440		3		50/60	112-178
KTX 10-04L	10	2.8	3.0*2	1440	3	50/60	0.75	1440	3	50/60	150-220			

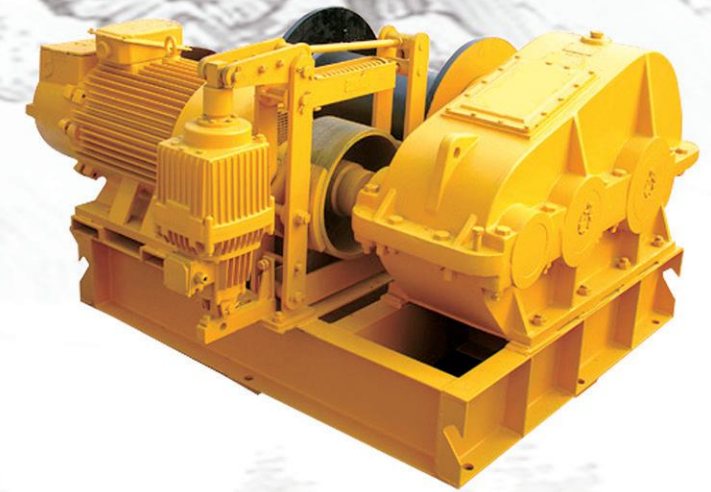
Model	KTXN0.25-01	KTXN0.5-01	KTXN01-01	KTXN01.5-01	KTXN02-01	KTXN02-02	KTXN03-01	KTXN03-02	KTXN05-02	KTXN07.5-03	KTXN10-04	KTXN15-06	KTXN20-08
Rated lifting capacity t	0.25	0.5	1	1.5	2	2	3	3	5	7.5	10	15	20
Lifting speed m/min	9.6	8.6	7.3	9.2	7.4	3.7	6	4.6	3	2	3	2	1.5
Lifting motor Power kw	0.55	1.1	1.5	3	3	1.5	3	3	3	3	3*2	3*2	3*2
Rotation speed r/min	1440	1440	1440	1440	1440	1440	1440	1440	1440	1440	1440	1440	1440
Motor insulation grade	F	F	F	F	F	F	F	F	F	F	F	F	F
Voltage V	380	380	380	380	380	380	380	380	380	380	380	380	380
Falls of load chain	1	1	1	1	1	2	1	2	2	3	4	6	8
Diameter of chain mm	5	6.3	7.1	10	10	7.1	11.2	10.0	11.2	11.2	11.2	11.2	11.2



KTXN Electric Chain Hoist With Trolley

Model	KTXN0.25-01	KTXN0.5-01	KTXN1-01	KTXN1.5-01	KTXN2-01	KTXN2-02	KTXN3-01	KTXN3-02	KTXN5-02	KTXN7.5-03	KTXN10-04	KTXN15-06	KTXN20-08
Rated lifting capacity t	0.25	0.5	1	1.5	2	2	3	3	5	7.5	10	15	20
Lifting speed m/min	9.6	8.6	7.3	9.2	7.4	3.7	6	4.6	3	2	3	2	1.5
Lifting motor power kw	0.55	1.1	1.5	3	3	1.5	3	3	3	3	3*2	3*2	3*2
Rotation speed r/min	1440	1440	1440	1440	1440	1440	1440	1440	1440	1440	1440	1440	1440
Traveling speed m/min	10	10	10	10	10	10	10	10	10	10	10	10	10
Lifting motor power kw	0.4	0.4	0.4	0.4	0.4	0.4	0.75	0.75	0.75	0.75	0.75	0.75	0.75
Rotation speed r/min	1440	1440	1440	1440	1440	1440	1440	1440	1440	1440	1440	1440	1440
Motor insulation grade	F	F	F	F	F	F	F	F	F	F	F	F	F
Voltage V	380	380	380	380	380	380	380	380	380	380	380	380	380
Falls of load chain	1	1	1	1	1	2	1	2	2	3	4	6	8
Diameter of chain mm	5	6.3	7.1	10	10	7.1	11.2	10.0	11.2	11.2	11.2	11.2	11.2

ELECTRIC WINCH SERIES





KCD Electric Winch

Model	KCD 300/600	KCD 500/1000	KCD 750/1500	KCD 500/1000	KCD 1000/2000	KCD 1500/3000	KCD 2000/4000	KCD 2500/5000	KCD 3000/6000	KCD 5000/10000
	Without control box			With control box						
Rated capacity kg	300/600	500/100	750/1500	500/1000	1000/2000	1500/3000	2000/4000	2500/5000	3000/6000	5000/10000
Motor kw	0.4	1.5	1.5	1.5	3	4.5	4.5	7.5	7.5	13
Wire rope Dia.(mm)	5	6	7.7	7.7	11	13	13	15	15	21.5
Lifting speed n/min	12/6	12/6	14/7	16/8	16/8	16/8	16/8	16/8	16/8	14/7
Lifting height m	30/60/70/100			30/60/70/100						
Voltage	220V/380V /415V/440V 3phase 50Hz/60Hz			220V/380V /415V/440V 3phase 50Hz/60Hz						



Single Phase Electric Winch

Model	KCD 300/600	KCD400/800	KCD 500/1000
Rated capacity kg	300/600	400/800	500/1000
Lifting height m	30-100	30-100	30-100
Method of using	Single/double hook	Single/double hook	Single/double hook
voltage	220V/1P	220V/1P	220V/1P
Lifting speed m/min	14/7	14/7	14/7
Power kw	1.6	1.6	1.6
Diameter of wire rope mm	6.2	6.2	6.2



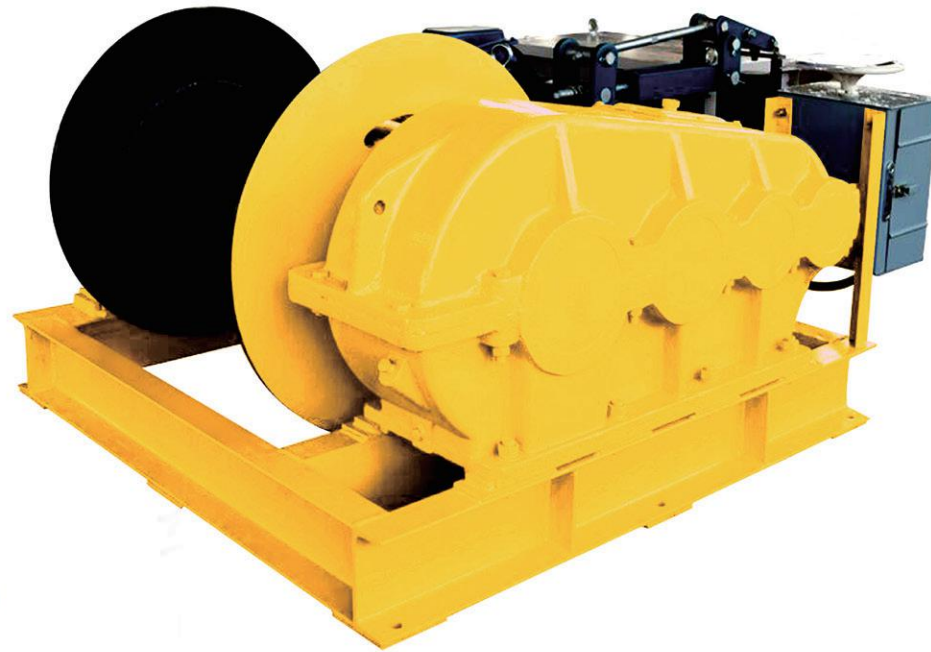
Aluminum Electric Winch

Model	KCD 300/600	KCD400/800	KCD 500/1000
Rated capacity kg	300/600	400/800	500/1000
Lifting height m	30-100	30-100	30-100
Method of using	Single/double hook	Single/double hook	Single/double hook
voltage	220V/1P	220V/1P	220V/1P
Lifting speed m/min	16/8	16/8	16/8
Power kw	1.5	1.5	1.5
Diameter of wire rope mm	7	7	7



JK Electric Winch

Model		JK1T	JK2T	JK3T	JK5T	JK8T
Line pull capacity (kg)		1000	2000	3000	5000	8000
Wire rope average speed (m/min)		24	24	26	30	25
Wire rope Dia.(mm):		9.3	13	15	21.5	26
Reduction box	Type	ZQ250	ZQ350	Z500	ZQ650	ZQ750
	Transmission ratio	40.17	40.17	48.57	40.17	48.57
Drum (mm)	Diameter	140	200	300	377	400
	Length	350	500	650	780	680
Capacity for wire rope (m)		100	150	250	250	200
Motor	Type	YE2-112M-4	YE2-132M-4	YZR-180L-6	YZR-225M-6	YZR-280S-8
	Power(kW)	4	7.5	15	22	45
	Rotating speed (r/min)	1450	1450	1000	1000	750
Hydraulic brake		YWZ-100/18	YWZ-200/25	YWZ-300/45	YWZ-300/90	YWZ-400/121
Dimension (cm)		700*600*420	1000*600*570	1350*930*840	1260*1605*916	1820*1420*1050
Weight (kg)		180	380	1000	1700	3000



JM Electric Winch

Model	JM1T	JM2T	JM3T	JM5T	JM10T	
Line pull capacity (kg)	1000	2000	3000	5000	1000	
Wire rope average speed (m/min)	16	16	10	10	10	
Wire rope Dia. (mm):	9.3	13	15	21.5	30	
Reduction box	Type	ZQ250	ZQ350	ZQS470	ZQS670	ZQS790
	Transmission ratio	48.57	48.57	75	139	175
Drum (mm)	Diameter	140	200	220	377	500
	Length	350	500	530	650	800
Capacity for wire rope (m)	100	150	150	250	250	
Motor	Type	YE2-112M-6	YE2-160M-6	YE2-160M-6	YE2-160L-6	YE2-200L-6
	Power(kW)	2.2	7.5	7.5	11	22
	Rotating speed (r/min)	1000	1000	1000	1000	1000
Hydraulic brake	YWZ-100/18	YWZ-200/25	YWZ-200/25	YWZ-300/45	YWZ-300/90	
Dimension (cm)	700*600*420	1000*600*570	1020*900*600	1240*1230*800	1500*1450*1020	
Weight (kg)	180	380	550	1000	1700	

CHAIN HOIST SERIES





CK Chain Hoist

Model		HSZ-CK					
Capacity	T	1	1.5	2	3	5	10
Standard lifting height	M	2.5	2.5	2.5	3	3	3
Load chain	No. of falls	1	1	1	1	1	4
	dimension	6*18	7.1*21	8*24	10*30	10*30	10*30
Force of full load		250	265	335	372	360	380
N.W/G.W	Kg	14.5/15	16.5/17	19.5/20.1	32/34	41.1/43.6	75.7/79.1
	A	149	176	176	231	249	463
Dimension	B	153	173	173	185	185	185
	C	29	35	35	39	49	54
	D	41	51	51	49	67	75
	H min	352	385	385	445	615	765
Additional weight per 1m lift	kg	0.8	1.1	1.4	2.2	3.8	8.8



CB Chain Hoist

Model		HSZ-CB					
Capacity	T	1	1.5	2	3	5	10
Standard lifting height	M	2.5	2.5	2.5	3	3	3
Load chain	No. of falls	1	1	1	1	1	4
	dimension	6*18	7.1*21	8*24	10*30	10*30	10*30
Force of full load		250	265	335	372	360	380
N.W/G.W	Kg	14.5/15	16.5/17	19.5/20.1	32/34	41.1/43.6	75.7/79.1
	A	149	176	176	231	249	463
Dimension	B	153	173	173	185	185	185
	C	29	35	35	39	49	54
	D	41	51	51	49	67	75
	H min	352	385	385	445	615	765
Additional weight per 1m lift	kg	0.8	1.1	1.4	2.2	3.8	8.8



HSZ Chain Hoist

Model	HSZ-0.5	HSZ-1	HSZ-1.5	HSZ-2	HSZ-3	HSZ-5	HSZ-10
Capacity t	0.5	1	1.5	2	3	5	10
Lifting height(m)	2.5	2.5	2.5	2.5	3	3	3
Test load	0.75	1.5	2.25	3	4.5	7.5	12.5
H min Headroom (Hook to hook)mm	270	270	368	444	486	616	700
Chain pull to lift full load N	225	309	343	314	343	383	392
No. of falls	1	1	1	2	2	2	4
Diameter of load chain (mm)	6	6	8	6	8	10	10
Net weight kg	9.5	10	16	14	24	36	68
Packing measurement (L*W*H) cm	28*21*17	30*24*18	34*29*20	33*25*19	38*30*20	45*35*24	62*50*28
Extra Weight meter of extra lifting kg	1.7	1.7	2.3	2.5	3.7	5.3	9.7



HSC Chain Hoist

Model	HSC-0.5	HSC-1	HSC-1.5	HSC-2	HSC-3	HSC-5	HSC-10
Capacity t	0.5	1	1.5	2	3	5	10
Standard lifting height(m)	2.5	2.5	2.5	2.5	3	3	3
Test load	0.75	1.5	2.25	3	4.5	7.5	12.5
Hmin Headroom (Hook to hook)mm	255	306	368	444	468	616	700
Chain pull to lift full load N	222	304	343	314	343	383	392
No. of falls	1	1	1	2	2	2	4
Diameter of load chain (mm)	6	6	8	6	8	10	10
Net weight kg	8	10	16	14	24	36	68
Packing measurement (L*W*H) cm	28*21*17	30*24*18	34*29*20	33*25*19	38*30*20	45*35*24	62*50*28
Extra Weight meter of extra lifting kg	1.7	1.7	2.3	2.5	3.7	5.3	9.7



VT Chain Hoist

Model	HS-VT1/2	HS-VT1	HS-VT11/2	HS-VT2	HS-VT3	HS-VT5
Capacity	0.5	1	1.5	2	3	5
Standard lift(m)	2.5	2.5	2.5	3	3	3
Running test load(t)	0.75	1.5	2.25	3	4.5	7.5
Minimum distance between hooks/mm	285	315	340	380	475	600
Chain pull force in full loading/kg	25	33	34	34	35	39
No. of load chain	1	1	1	1	2	2
Load chain Dia (mm)	6.3	6.3	7.1	8	7.1	9
Net weight(kg)	8.4	11	13.5	21	22	40
Gross weight(kg)	9.4	12	14.5	22	23	41.5
Packing measurement (L*W*H) cm	30×17×32	30×17×32	30×17×32	28×19×23	30×17×32	40×20×34

LEVER HOIST SERIES





HSH Lever Block

Model	HSH-0.25	HSH-0.5	HSH-0.75	HSH-1.5	HSH-3	HSH-6	HSH-9
Capacity (t)	0.25	0.5	0.75	1.5	3	6	9
Lifting height (m)	1	1.5	1.5	1.5	1.5	1.5	1.5
Test load (t)	0.313	0.625	0.937	1.875	3.75	7.5	11.25
Full load hand force (N)	250	340	196	206	324	343	420
No. of falls	1	1	1	1	2	3	4
Dia. of load chain (mm)	4	5	6	7	10	10	10
Net weight (kg)	1.8	4	7	11	20	30	49.8
Length of handle (mm)	160	300	290	410	410	410	410
Packing size(mm)	200*80*80	250*100*100	382*167*162	517*197*177	577*247*217	577*247*217	820*320*215
Extra weight meter of extra lift (kg)	0.41	0.52	0.8	1.10	2.2	4.4	8.8



HSH-VT Lever Block

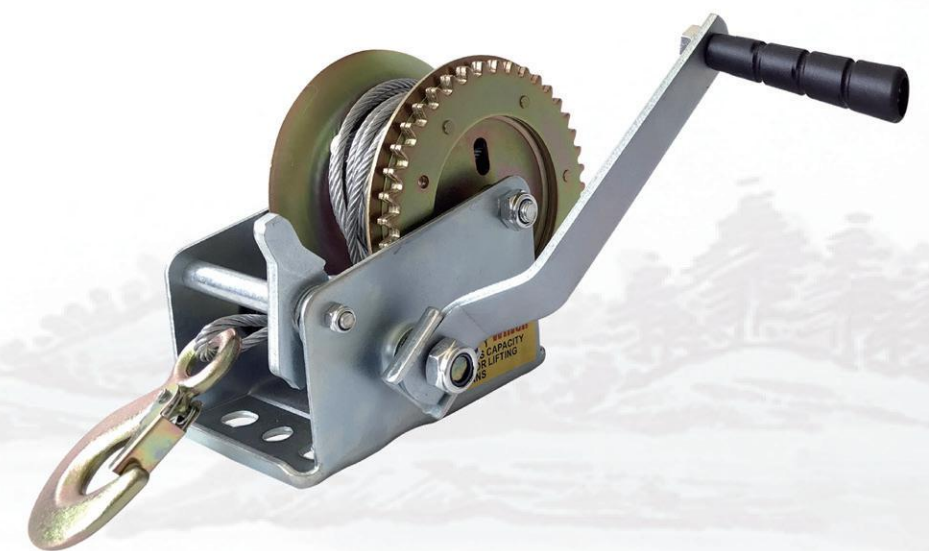
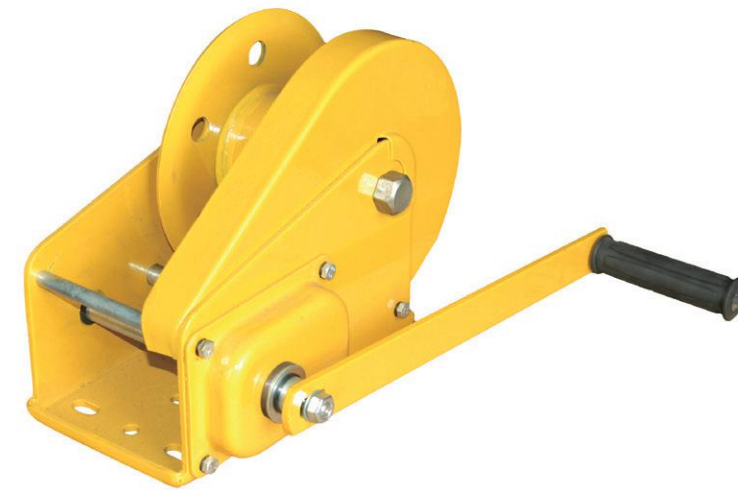
Model	HSH-VT0.75	HSH-VT1.5	HSH-VT3	HSH-VT6
Capacity (t)	0.75	1.5	3	6
Standard lift (m)	1.5	1.5	1.5	1.5
Test load (t)	0.937	1.875	3.75	7.5
Force for full load (N)	250	310	410	420
Lines of load chain	Falls	1	1	2
	Dia	6mm	8mm	10mm
Length of two hooks (mm)	440	550	650	650
Length of handle (mm)	285	410	410	410

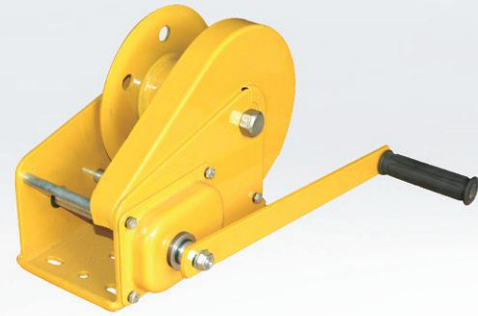


TQ Lever Tractor

Model	TQ-800	TQ-1600	TQ-3200	TQ-5400
Rated capacity (kg)	800	1600	3200	5400
Rated forward hand power (N)	343	441	441	850
Rated forward travel (mm)	≥52	≥55	≥28	≥30
Rope diameter (mm)	8.3	11.5	16	20
Wire rope safety factor load capacity	5	5	5	5
Safety factor	5	5	5	5
Max. traveling load (kg)	1200	2400	4000	8000
G.W. (kg)	8	15	25	56
MAX. overall size (mm)	440x260x80	560x280x100	660x380x110	930x480x152

HAND WINCH SERIES





TQ-C Hand winch

Model	Rated capacity	Gear ratio	Length of handle	Hub size	Drum storage	Size of belt	Qty/CTN	Packing size
	LBS	Ratio	mm	mm	mm	mm	pcs	cm
TQ-C12	1200	4.1/1	210	50	φ 5*10	1.8*70*8	4	29*28*15
TQ-C16	1600	5/1	320	70	φ 7*10	2*70*8	4	43.5*27*35
TQ-C25	2500	10/1	320	80	φ 8*10	2*70*8	2	48*29*36



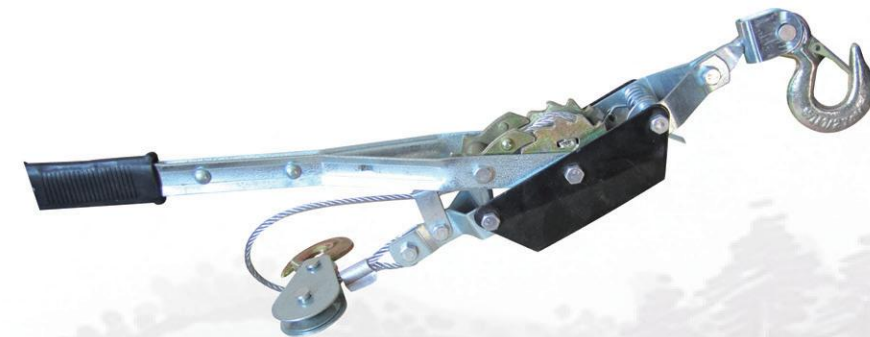
TQ-T Hand winch

Model	Rated capacity	Gear ratio	Length of handle	Hub size	Drum storage	Size of belt	Qty/CTN	Packing size
	LBS	Ratio	mm	mm	mm	mm	pcs	cm
TQ-T10	1000	3.7/1	200	45	φ 4.5*10	1.2*50*8	6	44*29*28
TQ-T12	1200	3.7/1	225	45	φ 4.5*10	1.2*50*8	6	44*29*28
TQ-T14	1400	3.7/1	225	45	φ 4.5*10	1.2*50*8	6	44*29*28
TQ-T16	1600	5.1/1	225	22	φ 4.8*10	1.6*50*8	4	55*28*20
TQ-T18	1800	5.1/1	225	22	φ 4.8*10	1.8*50*8	4	55*28*20
TQ-T20	2000	4.1/1 10.3/1	250	25.4	φ 5*10	1.8*70*8	4	43.5*27*35
TQ-T25	2500	5/1 10.3/1	275	25.4	φ 5*10	2*70*8	4	43.5*27*35



BQ Grip Puller

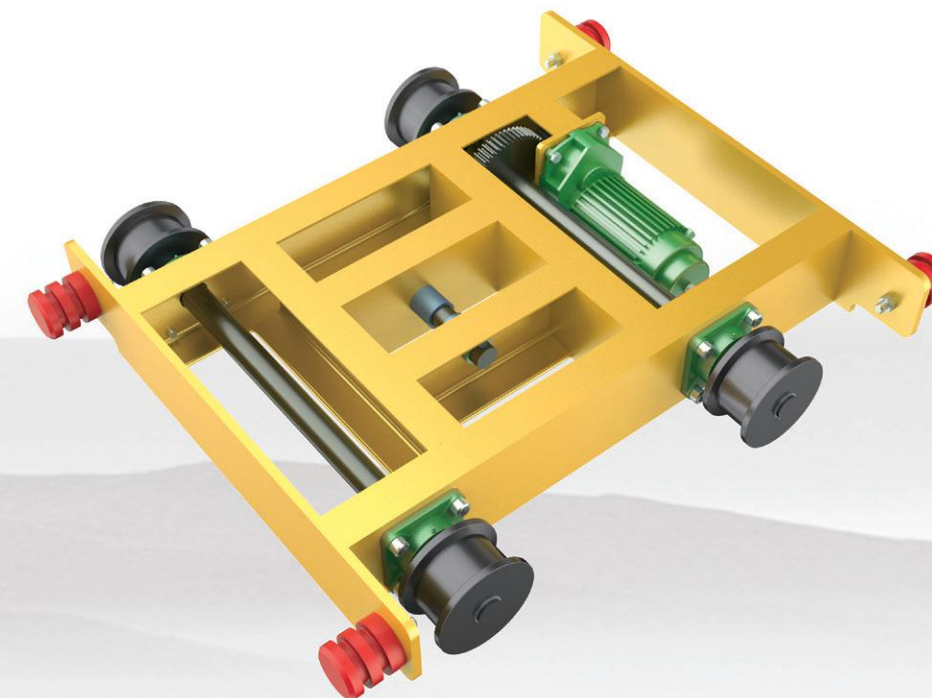
Model	Rated load (N)	Minimum breaking load (N)	Inner packing	Outer packing	Measurement	Weight (KG)	G.W (KG)
BQ10D	5000	10000	1pcs/box	10box/carton	53.5×37×20.5	19	21
BQ15Q	8000	16000	1pcs/box	10box/carton	54×39×21	21	23
BQ20	10000	20000	1pcs/box	10box/carton	59×41×24	23	25
BQ20B	10000	20000	1pcs/box	10box/carton	59×41×24	28	30



SJ Grip Puller

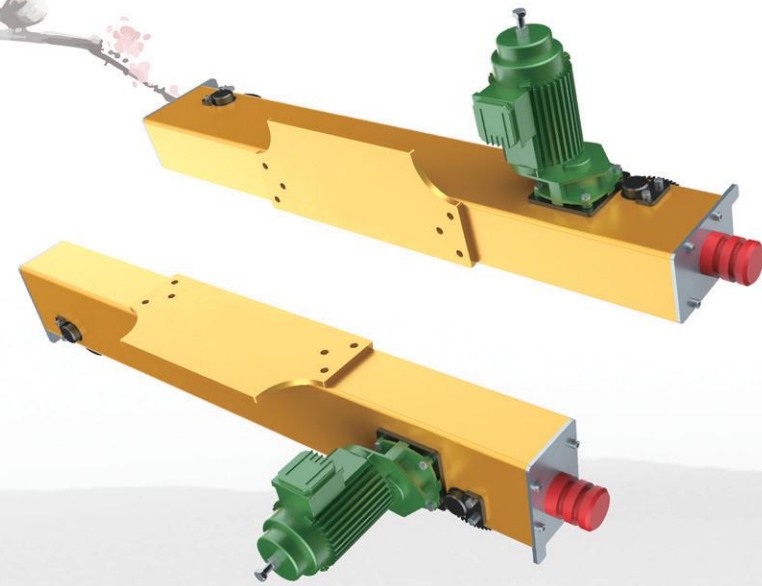
Model	Rated load	Take up length (mm)	Wire rope (mm)	Net weight (kg)
SJ-1.5	15	1000	Φ5×1200	3.5
SJ-2.0	20	1000	Φ6.5×1200	4
SJ-3.0	30	1000	Φ6.5×1200	5

TROLLEY TRUCK AND OTHER SERIES



Double Girder Crane Trolley

Type	Rated capacity(T)	Work level	Distance between crane girder(M)	Move speed(m/min)
T5	5	M3-M5	1.2-1.4	18
T10	10	M3-M5	1.4-1.6	18
T16/3.2	16	M3-M5	1.6-1.8	18
T20/5	20	M3-M5	1.6-1.8	18
T32/5	32	M3-M5	1.8-2.0	18
T50/10	50	M3-M5	1.8-2.0	18



End Carriage

Type	Capacity (t)	For crane	Power(kW)	Gear Dia (φ)	Size of material	The size of connection plate
L100-12	1	1t-7.5m	0.37*2	100*60	150*150*6	12*420*210
L100-15	1	1t-11.5m	0.37*2	100*60		
L100-20	1	1t-16.5m	0.37*2	100*60		
L150-15	2,3	2t3t-7.5m	0.4*2	150*65	150*200*8	14*420*210
L150-20	2,3	2t3t-11.5m	0.4*2	150*65		
L150-25	2,3	2t3t-16.5m	0.4*2	150*65		
L150-30	2,3	2t3t-22.5m	0.4*2	150*65		
L200-20	5	5t-11.5m	0.4*2	200*70	200*250*8	14*500*165 14*500*250
L200-25	5	5t-16.5m	0.4*2	200*70		
L200-30	5	5t-22.5m	0.75*2	200*70		
L200-35	5	5t-28.5m	0.75*2	200*70		
L250-20	10	10t-11.5m	0.75*2	250*80	200*300*8	14*500*250 14*500*165
L250-30	10	10t-16.5m	0.75*2	250*80		
L250-35	10	10t-22.5m	1.1*2	250*80		
L250-35	10	10t-28.5m	1.1*2	250*80		
L250-25B	16	16t-16.5m	1.1*2	250*80	200*300*8	14*800*250 14*800*165
L250-30B	16	16t-22.5m	1.1*2	250*80		
L250-30B	16	16t-22.5m	1.1*2	250*80		
L250-35B	16	16t-28.5m	1.5*2	250*80		



GCT-A Plain Trolley

Capacity (t)	I-Beam width (mm)	N.W (kg)
0.5	68-94	4.8
1	68-100	7.7
2	94-124	9.2
3	116-140	16
5	142-180	30
10	142-180	76



GCT-B Plain Trolley

Capacity (t)	I-Beam width (mm)	N.W (kg)
0.5	68-126	5.3
1	80-146	8.7
2	80-168	10.4
3	88-168	24
5	100-170	36
10	122-203	83
20	122-203	215



GCL-A Geared Trolley

Capacity (t)	I-Beam width (mm)	N.W (kg)
1	68-100	7.7
2	94-124	9.2
3	116-140	16
5	142-180	30
10	142-180	76



GCL-B Geared Trolley

Capacity (t)	I-Beam width (mm)	N.W (kg)
0.5	68-126	9
1	80-146	14
2	80-168	16
3	88-168	24
5	100-170	36
10	122-203	90
20	122-203	215



Cargo Trolley

Model	Quantity of wheel	Capacity/4pcs	Testing Load	Net weight
	(pcs)	(kgs)	(kgs)	(kgs)
TQ-6	4	6000	12000	12
TQ-8	6	8000	16000	17
TQ-12	8	12000	24000	22
TQ-15	9	15000	15000	22.6
TQ-18	12	18000	36000	30
TQ-24	16	24000	24000	37



Hydraulic forklift

Capacity (kg)	2000/2500/3000
Fork width (mm)	480/520/550/685
Fork length (mm)	800/1070/1100/1220
The lowered height (mm)	80/74
Max lifting height (mm)	>110
Dia. of the front wheel (mm)	ø80/ø200 ø72/ø180
Format of the front wheel	Single/Double
Material of the wheel	Nylon/Rubber/Polyurethane
Lifting speed (mm/bout)	≥8
Descending speed (mm)	Controllable
N.W (kg)	75/80/86/92



Hand Pallet Truck

Capacity (kg)	2000-3000
Fork length (mm)	1067-1220
Fork width (mm)	504-685
Fork lowest height (mm)	75-88
Fork highest height (mm)	85-98
N.W (kg)	74-90



Shop Crane

Model	2T	2T	3T
Capacity t	0-2t	0-2T	0-3T
Working range mm	0-2150	0-2150	0-2250
Hydraulic pump t	8t	8t	12t
N.W. kgs	70kg	60kg	93kg
G.W. kgs	72kg	62kg	95kg
Packing size mm	A 1400*260*200 B 700*560*100mm	A 1400*260*200 B 00*560*100mm	A 1400*260*200 B 800*1200*100mm



Permanent Magnet Lifter

Model	Rated lifting strength (kg)	Cylindrical rated lifting strength (kg)	Length (mm)	Width (mm)	Height (mm)	Length of the cylindrical (mm)	Operation temperature(°C)
TQ-100	100	50	92	62	69	155	<80
TQ -400	400	200	160	95	95	200	<80
TQ -600	600	300	210	120	120	230	<80
TQ -1000	1000	500	260	150	140	255	<80
TQ -1500	1500	750	340	150	140	255	<80
TQ -2000	2000	1000	350	170	170	320	<80
TQ -3000	3000	1500	395	170	170	380	<80
TQ -5000	5000	2500	600	230	215	600	<80



Double Circuit Magnetic Lifter

Model	Rated lifting strength	Cylindrical lifting strength	Max pull-off strength	Operation temperature	Net weight
	kgs	kgs	kgs	°C	kg
PML-3	300	100	900	<80	9.5
PML-6	600	200	1800	<80	21
PML-10	1000	300	3000	<80	37.5

CRANE SCALE SERIES



Crane Scale

Model	Capacity (kg)	N.W(kg)
OCS 1	1000	7
OCS 2	2000	7
OCS 3	3000	10
OCS 5	5000	13
OCS 10	10000	17
OCS 15	15000	37
OCS 20	20000	51



High-Temperature Crane Scale

Precision:	Level 3
Safe over-load:	150% F.S
Damaging over-load:	300% F.S
Applicable temperature range:	1400° 1.8m~1600° 2.0m
Relative humidity:	<90%R.H
Word height:	30mm/5 bits
Stability of reading:	<5 seconds
Control distance:	10~15m



Crane Scale with Printer

Model	Capacity (kg)	N.W(kg)
OCS 01	1000	22
OCS 02	2000	22
OCS 03	3000	23
OCS 05	5000	35
OCS 10	10000	46
OCS 20	20000	76
OCS 30	30000	165

WEBBING SLING SERIES



Webbing Sling

Model	Type	Color	Width mm	Upright (M=1)	Birding (M=0.8)	Parallel (M=2)	Angle 45° (M=1.8)	Angle 90° (M=1.4)	Angle 120° (M=1)
EA-40-1T	eye	Purple	40	1.0T	0.8T	2.0T	1.8T	1.4T	1.0T
EB-40-1T	round		40	1.0T	0.8T	2.0T	1.8T	1.4T	1.0T
EA-50-2T	eye	Green	50	2.0T	1.6T	4.0T	3.6T	2.8T	2.0T
EB-50-2T	round		50	2.0T	1.6T	4.0T	3.6T	2.8T	2.0T
EA-75-3T	eye	Yellow	75	3.0T	2.4T	6.0T	5.4T	4.2T	3.0T
EB-75-3T	round		75	3.0T	2.4T	6.0T	5.4T	4.2T	3.0T
EA-100-4T	eye	Light Green	100	4.0T	3.2T	8.0T	7.2T	5.6T	4.0T
EB-100-4T	round		100	4.0T	3.2T	8.0T	7.2T	5.6T	4.0T
EA-125-5T	eye	Red	125	5.0T	4.0T	10.0T	9.0T	7.0T	5.0T
EB-125-5T	round		125	5.0T	4.0T	10.0T	9.0T	7.0T	5.0T
EA-150-6T	eye	Brown	150	6.0T	4.8T	12.0T	10.8T	8.4T	6.0T
EB-150-6T	round		150	6.0T	4.8T	12.0T	10.8T	8.4T	6.0T
EA-200-8T	eye	Light Green	200	8.0T	6.4T	16.0T	14.4T	11.2T	8.0T
EB-200-8T	round		200	8.0T	6.4T	16.0T	14.4T	11.2T	8.0T
EA-250-10T	eye	Red	250	10.0T	8.0T	20.0T	18.0T	14.0T	10.0T
EB-250-10T	round		250	10.0T	8.0T	20.0T	18.0T	14.0T	10.0T
EA-300-12T	eye	Dark Red	300	12.0T	9.6T	24.0T	21.6T	16.8T	12.0T
EB-300-12T	round		300	12.0T	9.6T	24.0T	21.6T	16.8T	12.0T



Cargo Lashing

Model	Working force kgs		Width mm	Breaking force kgs	Length m	hook
FF01-25	400	800	25	800	8	Double "J"hook
FF01-50	2500	5000	50	5000	9	Double "J" hook
FF01-75	4000	8000	75	8000	9	Double "J"hook
FF01-100	5000	10000	100	10000	9	Double "J" hook



Load Chain and Hooks



Specification (mm)	Width (mm)		Approx weight (kg/m)	Working load limit (t)	Test load (kN)	Breaking load min.(kN)
	Inside min.	Outside max.				
6×18	7.5	21	0.79	1.1	27	45.2
7×21	9	24.5	1.07	1.5	37	61.6
8×24	10	28	1.38	2	48	80.4
10×30	12.5	35	2.2	3.2	76	125
11×43	12.6	36.5	2.33	3.8	92	154
12×36	15	42	3.1	4.6	109	181
12.5×38	15.5	42.2	3.3	4.9	117	196
13×39	16.3	46	3.8	5	128	214
14×42	18	49	4.13	6.3	150	250
14×50	17	48	4	6.3	150	250
15×46	20	52	5.17	7	168	280
16×48	20	56	5.63	8	192	320
16×49	24.5	59.5	5.71	8	192	320
16×64	23.9	58.9	5.11	8	192	320
18×54	23	63	6.85	10	246	410
18×64	21	60	6.6	10	246	410
19×57	23.7	63.2	7.7	11.3	270	450
20×60	25	70	8.6	12.5	300	500
22×65	28	74.2	10.7	15.3	366	610
22×66	28	77	10.2	15.3	366	610
22×86	26	74	9.5	15.3	366	610
24×72	32	82	12.78	18	432	720
24×86	28	79	11.6	18	432	720
26×78	35	91	14.87	21.3	510	850
26×92	30	86	13.7	21.3	510	850
30×90	38	105	19.6	28.3	678	1130
30×108	34	98	18	28.3	678	1130
32×96	40	106	22.29	32.2	772	1286
34×126	38	109	22.7	36.3	870	1450
34×102	46.5	121.5	25.5	36.3	870	1450
36×108	49.5	128.5	31	40.7	978	1630
38×137	42	121	29	45.3	1086	1810
38×114	52	136	32	45.3	1086	1810
42×126	55.5	144.5	38.6	55.4	1332	2200

The chain could be boiled black, print black and galvanized.

LIFTING ACCESSORIES SERIES



Mixer



Aluminum wire rope clip



Safe slide



Handle



Clamp



Hydraulic Jack



Caster Wheel



G30 Chain



Safety Fall Arrester



Ladder



Remote Control



Spring Balancer



Wire Rope Clamp



Mechanical jack



Pulley



Shackle



Hardware



Cable



Cable Guide Pulley



Ratchet Grip



Ground Wheel



CRANE SERIES

